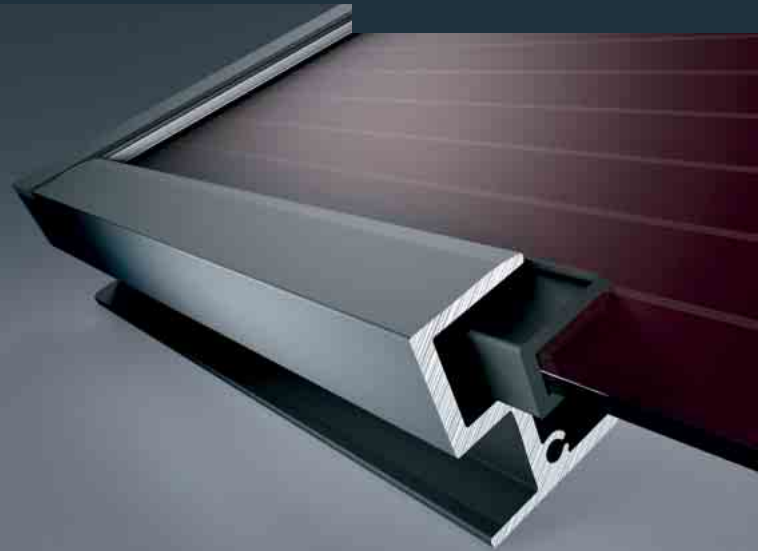
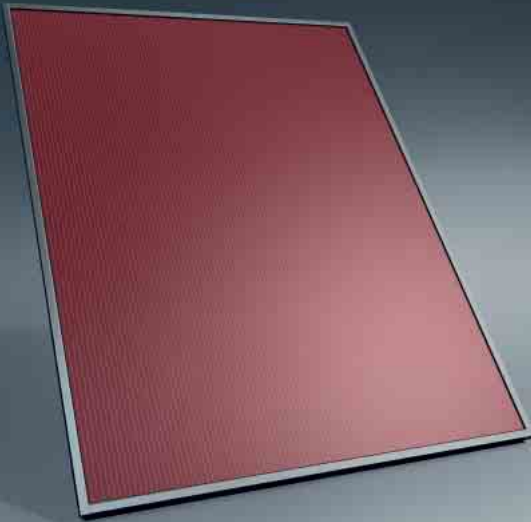


Schüco NexPower NH-100UX Series

Thin-film Photovoltaic Modules



Thin-film modules from NexPower meet Schüco's stringent quality standards, making photovoltaic module manufacturer NexPower a trusted Schüco supplier. Thin-film solar modules from NexPower feature a whole host of advantages, including a high optical absorption, low temperature coefficients for the highest electricity gain even in hot areas and a cost effective technology for current and future system needs.

The modules fully adhere to international quality and environmental standards such as ISO 9001 and ISO 14001. The modules have been tested for conformity to all relevant regulations, and bear the UL marking (UL 1703).

NexPower thin-film modules are fabricated using state-of-the-art deposition systems in line with the highest technical standards, ensuring excellence at every stage

of the production process and resulting in a highly cost-efficient, long-life solution for grid-connected photovoltaic systems. Every module is individually inspected to ensure perfect performance.

SCHÜCO

Technical Data

Electrical specifications		
Product name:	NH-100UX_3A	NH-100UX_4A
Rated power STC (P_{mpp})*	95 W_p	100 W_p
Effective output tolerance (ΔP_{mpp})*	+5% / -5%	+5% / -5%
Rated voltage (V_{mpp})*	73.0 V	75.0 V
Rated current (I_{mpp})*	1.30 A	1.33 A
Open circuit voltage (V_{oc})*	100.0 V	101.0 V
Short circuit current (I_{sc})*	1.62 A	1.65 A
Module efficiency	6.0 %	6.3 %
Cell technology	Amorphous Silicon	
Temperature coefficient α (P_{mpp})	-0.2% / °C	-0.2% / °C
Temperature coefficient β (I_{sc})	+0.09% / °C	+0.09% / °C
Temperature coefficient χ (V_{oc})	-0.34% / °C	-0.34% / °C
Temperature coefficient δ (I_{mpp})	+0.09% / °C	+0.09% / °C
Temperature coefficient ϵ (V_{mpp})	-0.34% / °C	-0.34% / °C
Normal Operating Cell Temperature (NOCT)**	44°C +/-2°C	44°C +/-2°C
Max. system voltage permitted	600 V	600 V
Max. series fuse rating	7 A	7 A

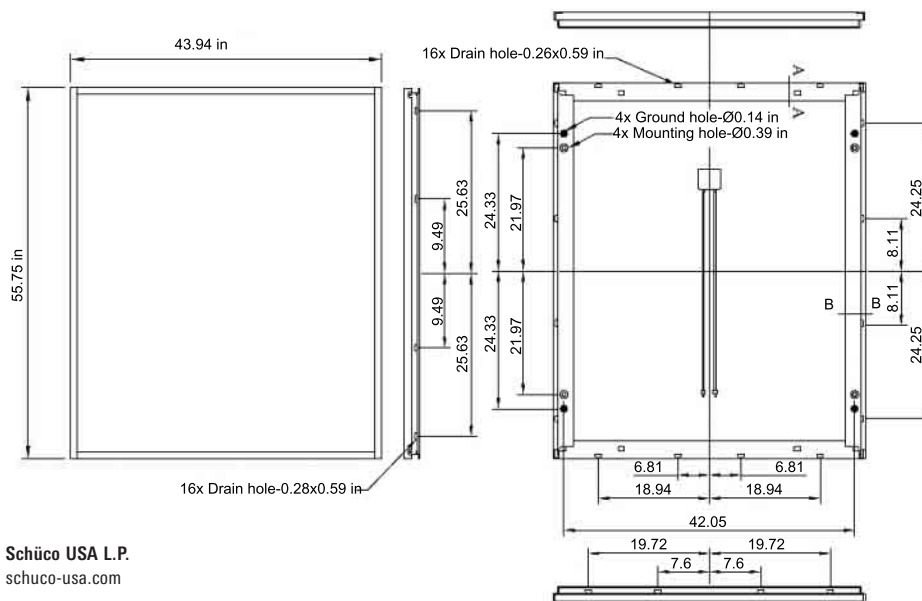
* Irradiance 1,000 W/m², air mass index 1.5, cell temperature 25°C

** Irradiance 800 W/m², air mass index 1.5, ambient temperature 20°C, wind speed 1 m/s
Photovoltaic modules show signs of electrical degradation. After they go into operation the degradation is initially degressive, and later it is linear.

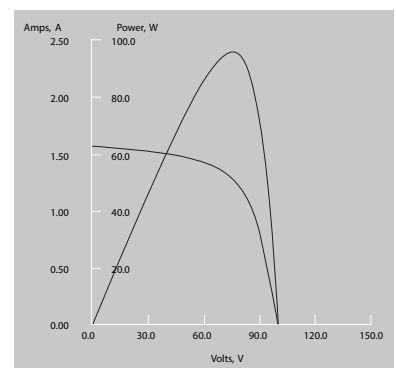
Mechanical specifications	
Outer dimensions (LxWxH)	55.75 x 43.93 x 1.4 in
Aluminum frame	Anodized, black
Front glass	Solar glass
Weight	45.2 lbs
Connections system / diameter of cable	MC-T4 / 2.5 mm ²
Lengths: plus / minus cable	100 cm +/- 5 cm / 100 cm +/- 5 cm 39.37 in +/- 1.97 in / 39.37 in +/- 1.97 in

Qualification and warranties	
Product standard	UL 1703
Extended product warranty	2 years
Performance warranty (90% of P_{mpp})	10 years
Performance warranty (80% of P_{mpp})	20 years

Miscellaneous	
Weight of packing unit	1,642.45 lbs
Schüco end clamp	Type 48-1 (Art.-No. 257 337)
Schüco intermediate clamp	Type 48-2 (Art.-No. 257 338)
Schüco Art.-No NH-100 UX_3A	232 397
Schüco Art.-No NH-100 UX_4A	232 399
Packing unit	30 modules



Schüco USA L.P.
schuco-usa.com



I/V curves